

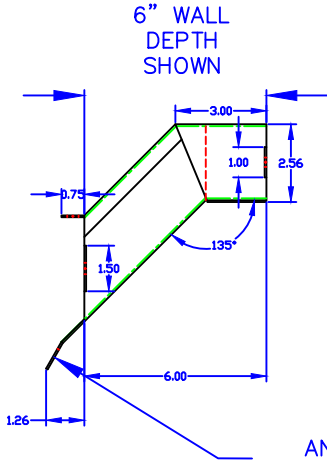
EDU WIDE SLOT HEAD & CHUTE INCLUDES

DESCRIPTION
SS WIDE SLOT HEAD & POWDER COATED STEEL DELIVERY CHUTE SIGNS: "ENVELOPE DEPOSITORY" OR "PAYMENT DROP" & "LIFT TO DEPOSIT"

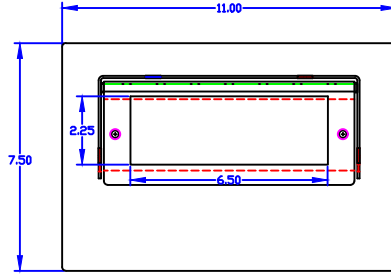
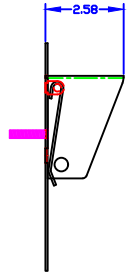
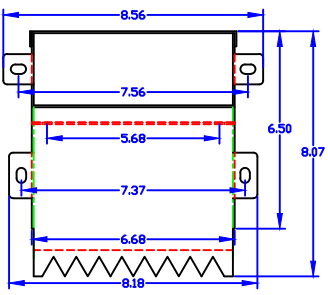
ACCESSORY OPTIONS

DESCRIPTION
LARGE RECEIVING CHEST 36" HIGH CHEST FOR 300+ PAYMENTS (REPLACES 24" CHEST)
LOCKABLE LIFT PLATE INCLUDES LOCK BAR, PAD LOCK, AND 2 KEYS
STANDARD-SLOT SS HEAD 3/4" X 6.5" SLOT OPENING
ENVELOPE HOLDER 8" X 4.5" INCHES WIDE [25 CAPACITY]
ENVELOPE HOLDER 10.5" X 4.5" INCHES WIDE [25 CAPACITY]
EXTRA ENVELOPE HOLDER 10.5" X 4.5" INCHES WIDE [100 CAPACITY]
ENVELOPE HOLDER W/ WRITING SHELF 11" X 9.75" X 6" BLACK SIGN ON LIFT PLATE READS "ENVELOPES" [50 CAPACITY]

EXTERIOR
ROUGH OPENING
4" X 9"



ANTI-FISH TEETH
PREVENTS FISHING



WALL DEPTH ELEVATIONS
ASSUMES SAME
INTERIOR AND EXTERIOR GRADE

WALL DEPTH	MINIMUM CENTER LINE OF ROUGH OPENING	
	24" CHEST	36" CHEST
0"	21 5/8"	33 5/8"
2"	22 5/8"	34 5/8"
4"	23 5/8"	35 5/8"
6"	25 5/8"	37 5/8"
8"	27 5/8"	39 5/8"
10"	29 5/8"	41 5/8"
12"	31 5/8"	43 5/8"
14"	33 5/8"	45 5/8"
16"	35 5/8"	47 5/8"
18"	37 5/8"	49 5/8"
20"	39 5/8"	51 5/8"

THE INFORMATION CONTAINED IN THIS DRAWING IS THE SOLE PROPERTY OF AMERICAN SECURITY CABINETS. ANY MISUSE IN PART OR AS A WHOLE IS STRICTLY PROHIBITED BY AMERICAN SECURITY CABINETS.

AMERICAN SECURITY CABINETS
2605 5TH STREET NORTH
ST. CLOUD, MN 56303
866-268-4955

TITLE
EDU WIDE SLOT HEAD AND CHUTE_CUT SHEET

PART NAME
EDU WIDE SLOT HEAD AND CHUTE

REV	DESCRIPTION	DATE	BY	TOL: UNLESS OTHERWISE SPECIFIED ANGLES: ±1° .XX±.030 .XXX±.010
	RELEASE	09-01-10	JRS	

SHEET	SCALE	REV
	NTS	